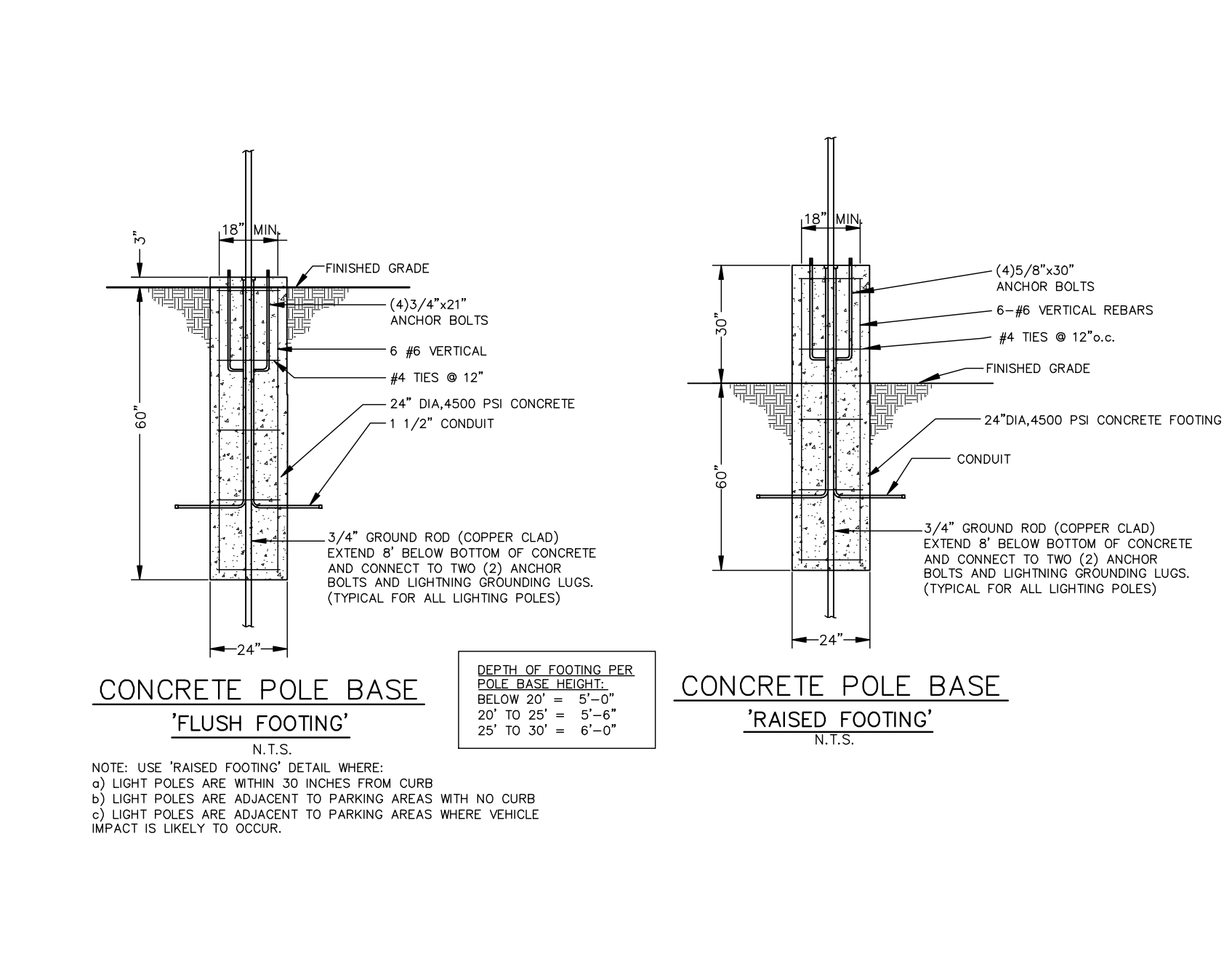
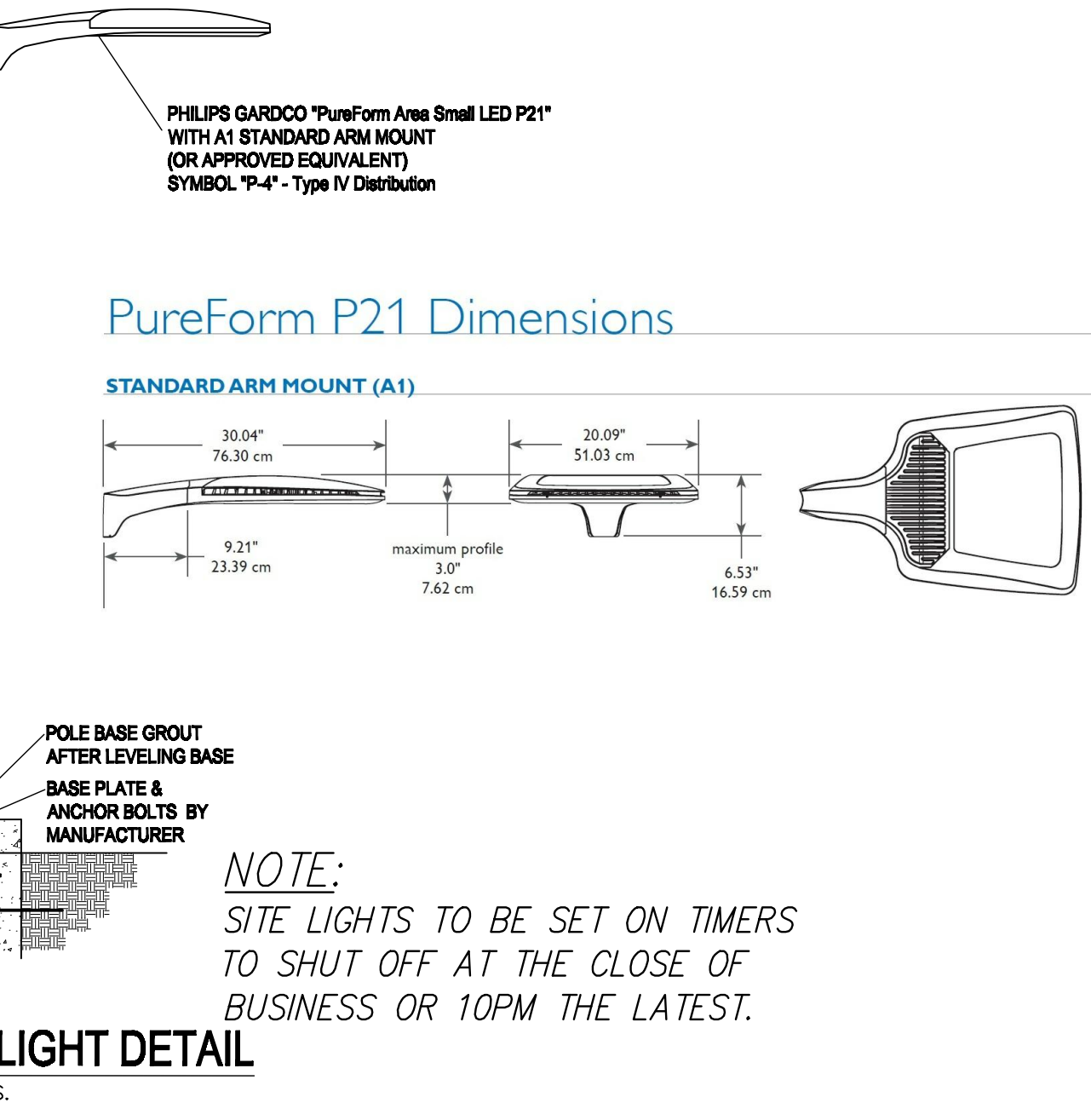
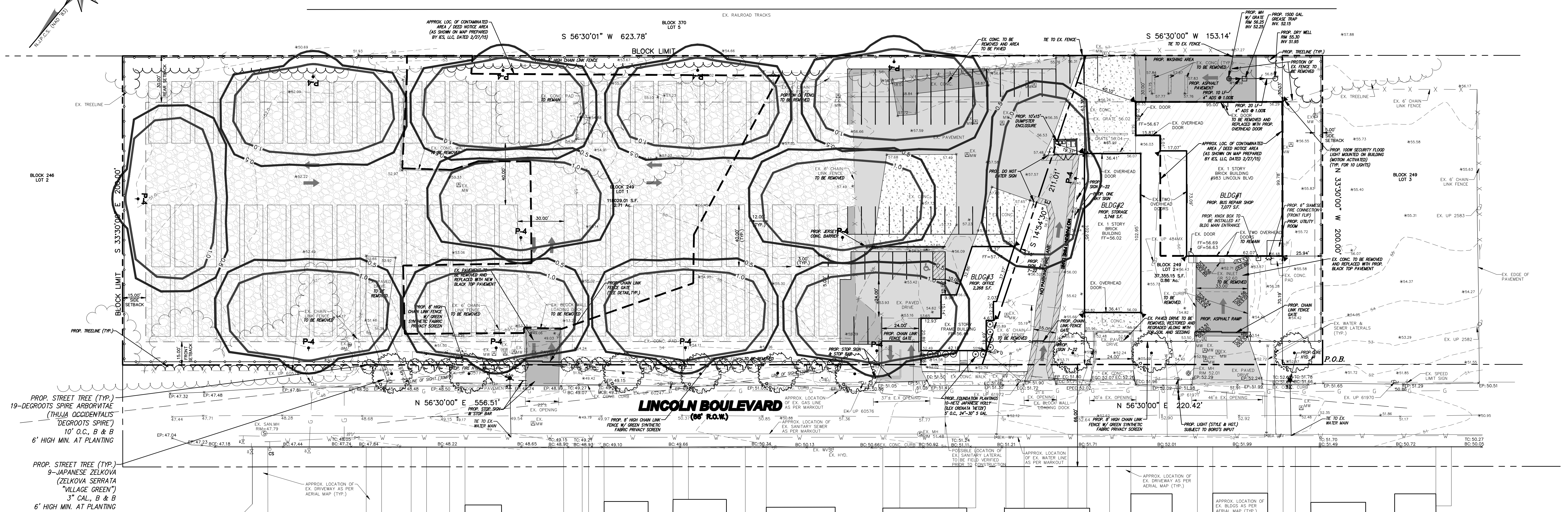
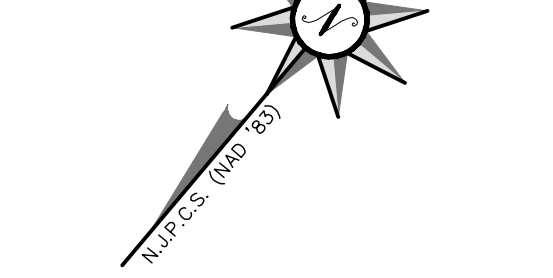
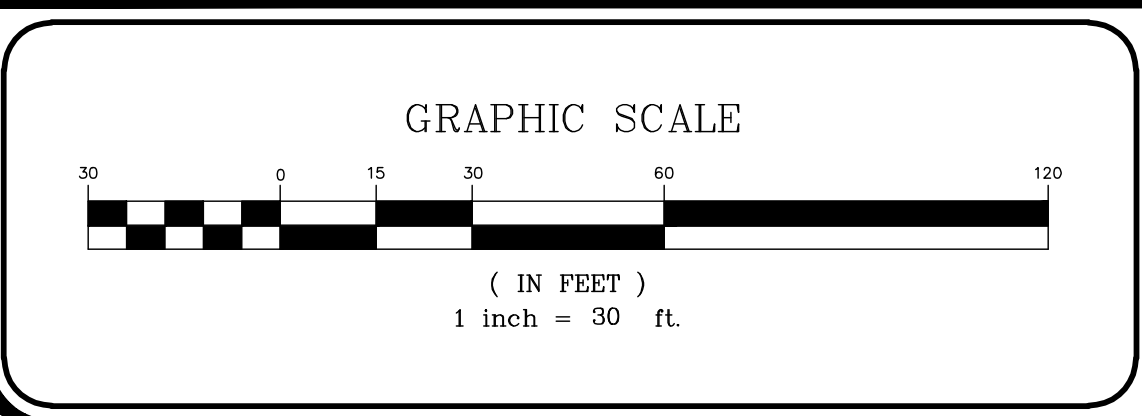
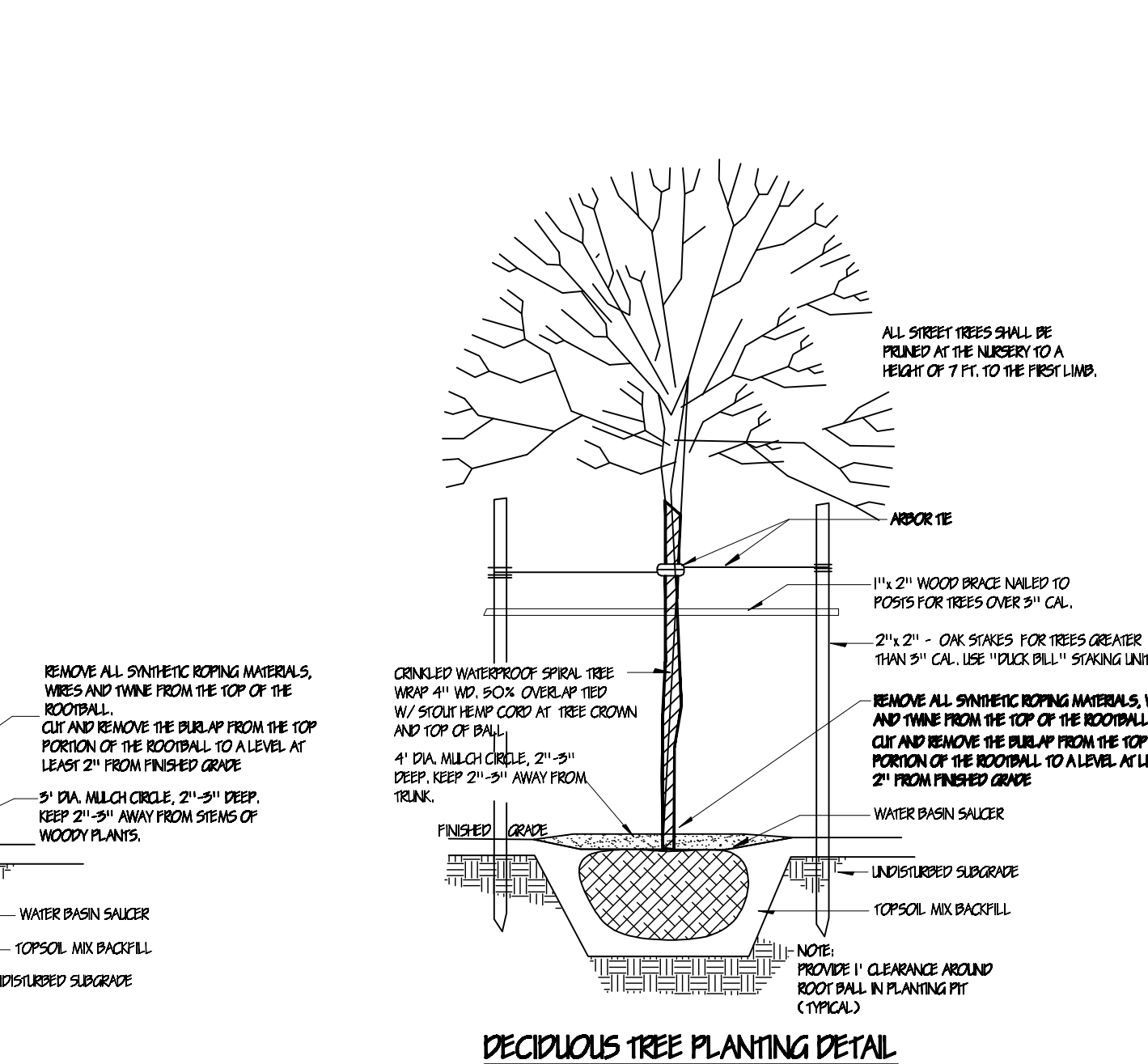


CONRAIL CENTRAL RAILROAD OF NEW JERSEY MAINLINE



LANDSCAPE SCHEDULE

SYMBOL	QUANT.	COMMON NAME	LATIN NAME	SPACE * SIZE * ROOT * COMMENT
	9	JAPANESE ZELKOVA	ZELKOVA SERRATA "VILLAGE GREEN"	3" CAL. * B & B 6' HIGH MIN. AT PLANTING
	19	DEGROOTS SPIRE ARBORVITAE	THUJA OCCIDENTALIS "DEGROOTS SPIRE"	10' O.C. * B & B 6' HIGH MIN. AT PLANTING
	10	HETZ JAPANESE HOLLY	ILEX CRENATA "HETZII"	5' O.C., 24"-30", 5 GAL.



NO.	REVISION	DATE	Dr/Ck
4	REV. PER BOARD LETTER 1/25/2020	3/28/2020	GRQ/SA
3	REV. PER 2/12/2020 BOARD MEETING	2/25/2020	GRQ/SA
2	REV. PER P.A. MEETING	11/25/19	GRQ/SA
1	NOISE DUMPSTER	8/9/18	GRQ/SA

CAD#:	DESIGN BY:	DATE:
18-034-SHT4-LM	SA	6/8/2018
PB#:	DRAWN BY:	SCALE:
	GRQ	1"=30'
BOOK#:	Checked by:	FILE NO.:
	SA	11-041

AMERTECH ENGINEERING, INC.
ENGINEERS, SURVEYORS AND PLANNERS

Sharif H. Aly
SHARIF H. ALY
New Jersey Professional Engineer Lic. No. 34669

PRELIMINARY AND FINAL MAJOR SITE PLAN
930 LINCOLN BOULEVARD
LOTS 1 & 2, BLOCK 249
BOROUGH OF MIDDLESEX
MIDDLESEX COUNTY, NEW JERSEY
T.M. SHEET No. 17

LAYLA TRANSPORT LLC
LIGHTING AND LANDSCAPING

JOB #:	18-034
	4
	6